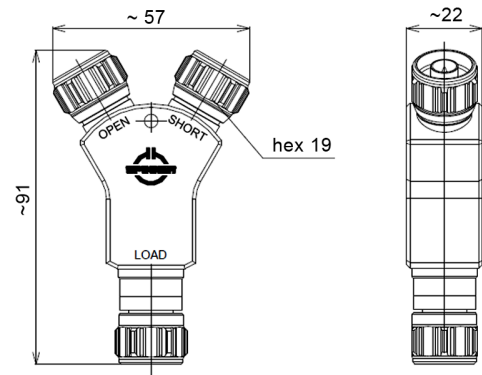


Calibration Kit

Part No. 8503301S



Specifications				
Connector type	N plug			
Impedance	50 Ω			
Frequency range	0 - 6 GHz			
Electrical data				
Open / Short	Phase shift			
	180° ± 8			
Open	Offset length	Parameter	Agilent / Anritsu	Rohde & Schwarz
	53.637 ps	C0	-6.4 x 10 ⁻¹⁵ F	-6.4 fF
		C1	1444 x 10 ⁻²⁷ F/Hz	1.444 fF/GHz
	16.08 mm	C2	13.83 x 10 ⁻³⁶ F/Hz ²	0.01383 fF/(GHz) ²
C3		-10.03 x 10 ⁻⁴⁵ F/Hz ³	-0.01003 fF/(GHz) ³	
Short	53.504 ps	L0	20 x 10 ⁻¹² H	20 pH
		L1	-5842 x 10 ⁻²⁴ H/Hz	-5.842 pH/GHz
	16.04 mm	L2	416 x 10 ⁻³³ H/Hz ²	0.416 pH/(GHz) ²
		L3	0 x 10 ⁻⁴² H/Hz ³	0 pH/(GHz) ³
Load	DC-resistance		Return loss	Power rating
	50 Ω ±0.5		≥ 42 dB	0.5 W max.
	Material		Surface Finish	
Inner conductor	CuBe age hardened		gold-plated	
	copper alloy		gold-plated	
Outer conductor	copper alloy		CuSnZn-plated	
Other Metal Parts	aluminium		anodised (blue)	
Insulation	PTFE, PMP			
Standards	IEC 61169-16			
Temperature range	+5 °C - +40 °C			
Weight	Approximately 200 gm			
Included in delivery	protective caps			